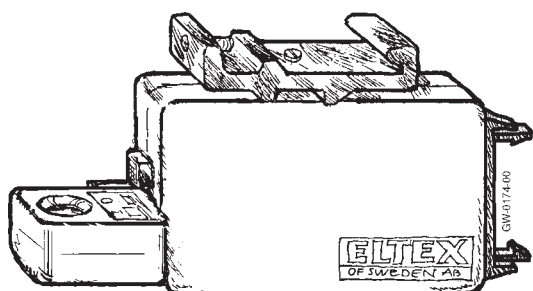
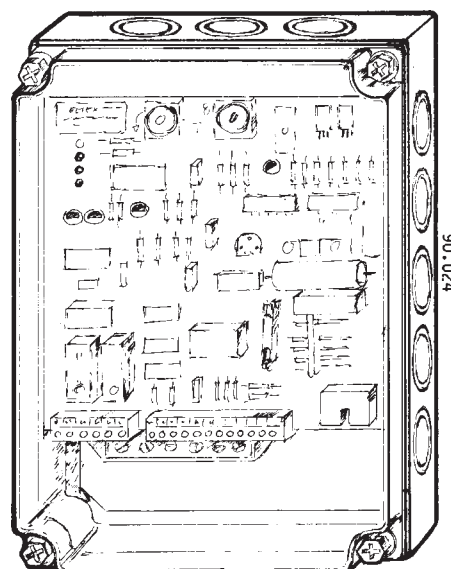


# Thread Stop Motion for Quilting machines



Thread sensor 15427 or 15428



Central control unit 15141

## General description

This stop motion is designed to monitor the overthreads on a quilting machine. The system consists of three different parts.

A **thread sensor** to monitor each thread, one **light switch** or **proximity switch** to synchronise the system to the machine cycles and one **central control unit**. This unit will provide the power supply, send and receive signals from the other units and send a stop signal to the machine when a thread fault occurs.

## Technical features

- Individual stop margin counter in each thread sensor, counting missing stitches in a row. If the stop margin, set on the central control unit is exceeded the machine will stop.
- An ON/OFF switch with a double function light indicator in each thread sensor, distinctively showing the status of the thread sensor.
  - Push button out, indicator off = the thread sensor is off.
  - Push button in, indicator continuously on = the thread sensor is on.
  - Push button in, indicator flashing = this thread sensor has detected a fault and has stopped the machine.
- When machine starts and after a “jumping” sequence, the fault counter in each thread sensor is set to maximum stop margin (7 stitches). As soon as a stitch has been detected the fault counter will work according to the value set on the central control unit.

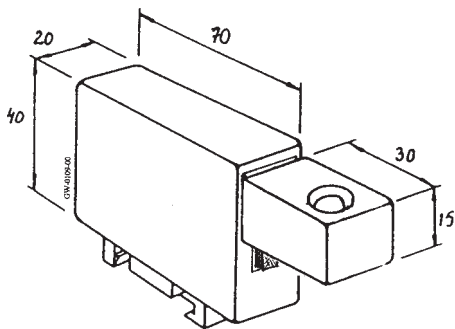
This prevents false stops due to slack threads or low speed at machine start.
- The thread sensors are easily fitted on, and can easily be moved along a standard DIN rail, fitted on the machine.
- The thread sensors are connected in parallel with a 10-pole ribbon cable.

## Technical specifications

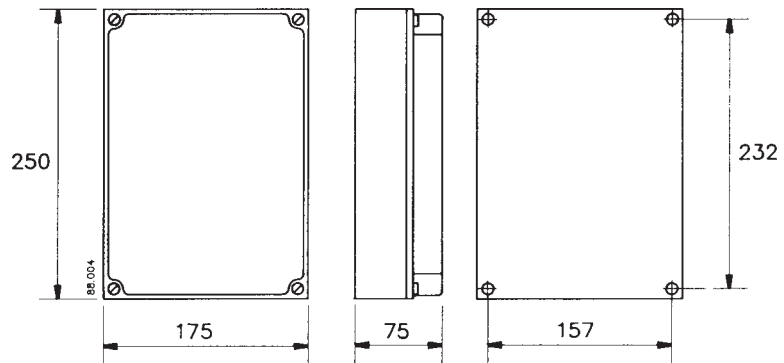
Any quantity up to 100 thread sensors can be connected to one central control unit. The thread sensors can be fitted with a minimum spacing of 25 mm (20 mm on request).

<b>Power supply</b>	230, 290, 380, 440, or 550 V AC
<b>Relay contact load</b>	2 x 1 A/125 V AC or 2 x 2 A/ 30 V DC
<b>Sensitivity setting</b>	The sensitivity of the thread sensors are commonly set with a potentiometer in the central control unit.
<b>Stop margin</b>	1–7 stitches, commonly set with a DIP-switch in the central control unit.
<b>Central control unit</b>	Grey polycarbonate with transparent lid.
<b>ON/OFF switches</b>	ON/OFF switch on the central control unit, inhibiting stop from all thread sensors. Individual ON/OFF switch on each thread sensor.
<b>Eyelet</b>	Closed ceramic eyelet diameter 3 mm.

## Dimensions



Thread sensor



Central control unit



Box 608 • SE-343 24 ELMHULT • Sweden • Tel. +46 476 488 00 • Fax +46 476 134 00  
E-mail: [info@eltex.se](mailto:info@eltex.se) • Web: [www.eltex.se](http://www.eltex.se)

ELTEX U.S. INC.  
P.O. Box 868  
Greer, SC 29652-0868  
USA  
Tel: 864-879-2131  
In U.S. toll free  
1-800-421-1156  
Fax: 864-879-3734  
Email: [sales@eltexus.com](mailto:sales@eltexus.com)

ELTEX MFG LTD  
Railway Road  
Templemore, Co. Tipperary  
Ireland  
Tel: 504-314 33  
Fax: 504-310 02  
Email: [info@eltex.ie](mailto:info@eltex.ie)

ELTEX OF SWEDEN GMBH  
c/o Frank Widmann e.K.  
Murgstrasse 13  
DE-76337 WALDBRONN  
Germany  
Tel: 07243-767268  
Fax: 07243-61216  
Email: [a.f.widmann@t-online.de](mailto:a.f.widmann@t-online.de)

POLSA-ELTEXS.L.  
Zamora, 103-entlo 3  
ES-08018 Barcelona  
Spain  
Tel: 093-309 00 17  
Fax: 093-309 59 45  
Email: [polsa@infonegocio.com](mailto:polsa@infonegocio.com)