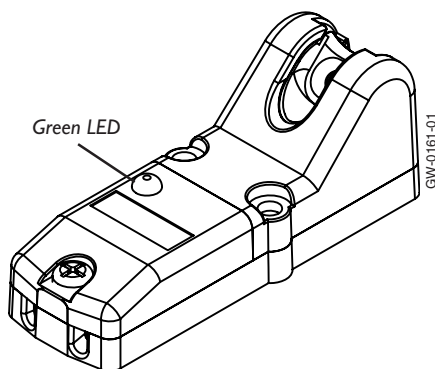


Instruction for Eltex UPG yarn break detector I6720/I6730

General

Diese Anleitung ist auf Deutsch erhältlich, TH-0265.
Queste istruzioni sono disponibili in italiano, TH-0266.
Esta instrucción está disponible en español, TH-0267.
www.eltex.se



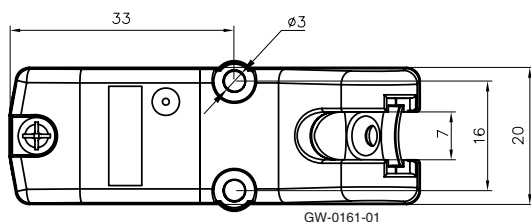
The UPG is a small, general-purpose thread break detector in a robust metal housing. It works on the piezoelectric principle, detecting the yarn movement.

The ceramic sensor part can be used as a closed eyelet or as an open bar.

The yarn motion is detected most effectively when the thread deviates about 10–15° as it passes through the sensor.

When the UPG detects yarn movement, the green LED (light emitting diode) is on.

Fitting



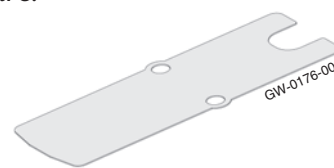
The UPG yarn break detector is fitted on the machine with two screws, maximum diameter 3 mm.

NOTE! Electrical interference caused by insufficient machine ground can cause the UPG to indicate yarn movement when no yarn is moving.

This can be corrected by electrically insulating the UPG from the machine frame. Two nylon screws and an insulation pad can be used to achieve this. These parts are included with the UPG sensor as of October 2003. These parts can also be ordered from Eltex. The part numbers are:

#4144 Nylon screw

#6868 Insulation pad



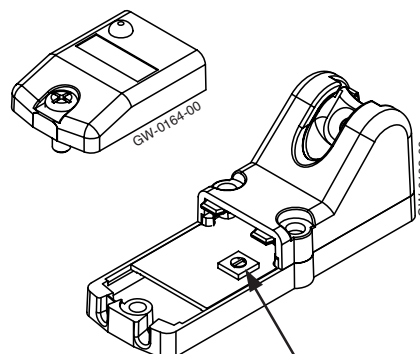
Adjustment

If the factory setting of the sensitivity is not suitable, it can be adjusted with the potentiometer, located under the lid.

When making adjustments, use a small screwdriver, maximum size of 2.5 mm.

Minimum setting (↺ counter clockwise) is for course, fast moving and/or high-tension yarn.

Maximum setting (↻ clockwise) is for fine, slow moving, and/or low-tension yarn.

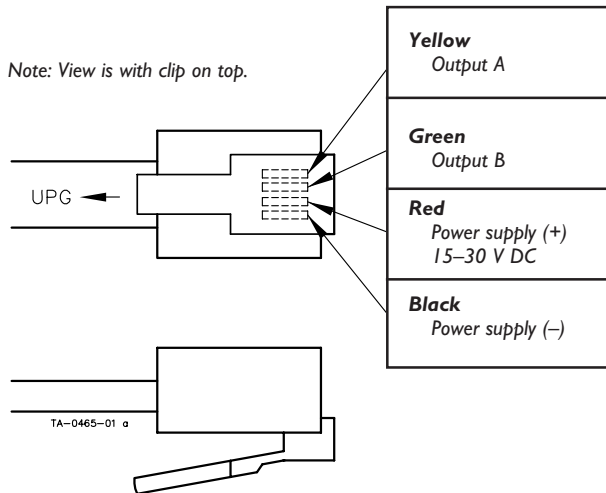


Connection

The detector has a 0.5 or 3.5 m cable with a 6/4 modular plug connector.

The output is suitable for a PLC or other electronic control devices. The detectors can be connected in parallel.

The detector is protected against reversed polarity on the power supply.



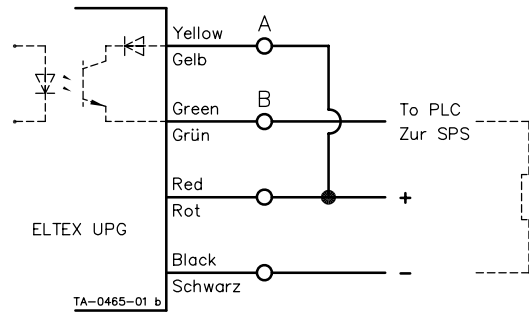
Output: optocoupler, NC = normally closed.

Output load: max. 10 mA, 35 V DC

Max ON-STATE voltage drop: 2 V DC at 10 mA

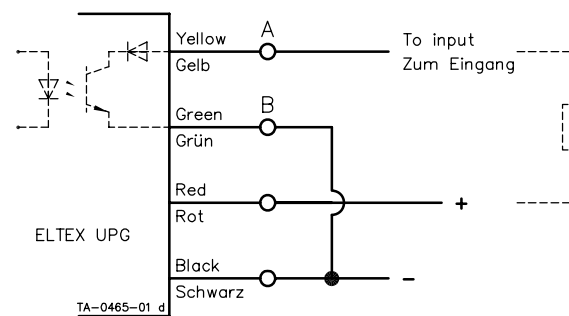
Declaration of conformity according to the EMC Directive 89/336/EEC
The Eltex Yarn Break Detector UPG conforms to the standard
EN 61326/A1 (1998)

PNP



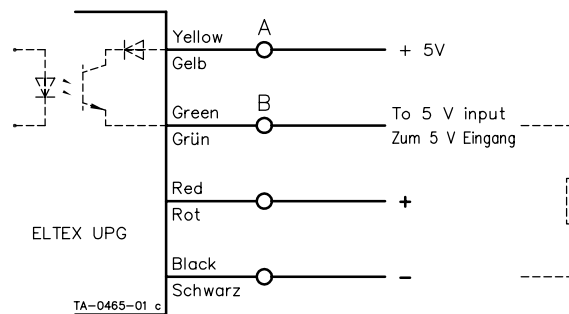
Configured as PNP output for PLC; high when yarn is not moving.

NPN



Configured as NPN open collector for input with pull-up resistor; low when yarn is not moving.

Special



Configured as opto-coupler output; high when yarn is not moving.



Box 24 • SE-283 21 OSBY • Sweden • Tel. +46 479 53 63 00 • Fax +46 479 53 63 99
E-mail: info@eltex.se • Web: www.eltex.se

ELTEX U.S. INC.
13031 E. Wade Hampton Blvd
Greer, SC 29651
USA
Tel: 864-879-2131
In U.S. tollfree: 1-800-421-1156
Fax: 864-879-3734
Email: sales@eltexus.com

ELTEX MFG LTD
Railway Road
Templemore, Co. Tipperary
Ireland
Tel: 504-314 33
Fax: 504-310 02
Email: info@eltex.ie

POLSA-ELTEX S.L.
Zamora, 103-entlo 3
ES-08018 Barcelona
Spain
Tel: 093-309 00 17
Fax: 093-309 59 45
Email: polsa@infonegocio.com